

### Specifications

MODEL	TZ-50	
Measurements	US	Metric
Working height*	55 ft 6 in	17.09 m
Platform height	49 ft 6 in	15.09 m
Entry height	1 ft 8 in	.51 m
Horizontal reach	29 ft 2 in	8.89 m
Clear outreach	23 ft 1 in	7.04 m
Up and over clearance	22 ft	6.71 m
<b>A</b> Platform length	2 ft 2.8 in	.68 m
<b>B</b> Platform width	3 ft 8 in	1.12 m
<b>C</b> Height - stowed	6 ft 10 in	2 m
<b>D</b> Length - stowed	23 ft 6 in	7.16 m
<b>E</b> Width - stowed	5 ft 6 in	1.68 m
<b>F</b> Ground clearance - center	10 in	.25 m
<b>G</b> Length - outrigger footprint	14 ft 4 in	4.37 m
<b>H</b> Width - outrigger footprint	14 ft 4 in	4.37 m

### Productivity

Lift capacity (ANSI, CSA) - standard	500 lbs	227 kg
Lift capacity (ANSI, CSA) - rotating platform	500 lbs	227 kg
Lift capacity (CE/AUS) - standard	440 lbs	200 kg
Lift capacity (CE/AUS) - rotating platform	440 lbs	200 kg
Jib boom	4 ft 1 in	1.25 m
Jib working range	135°	
Self leveling platform	2.5° standard	
Platform rotation option	160° hydraulic	
AC power to platform	standard	
Turntable rotation	359° non-continuous	
Outrigger leveling capability	10°	
Drive speed	0.85 mph	1.37 km/h
Gradeability**	20%	
Towing speed rate	60 mph	97 km/h
Tongue weight - ANSI, CSA	400 lbs	181 kg
Tongue weight - CE	220 lbs	100 kg
Surge and parking brakes	standard	
Controls	variable speed system	
Tires - ANSI, CSA	ST 225/75 R15	
Tires - CE	215 R14C	
Coupler	2 in ( 5.08 cm) hitch coupler standard	

### Power

Power source - standard	24V DC (four 6V 225 Ah batteries)
Power source - drive option	24V DC (four 6V 244 Ah batteries)
Power source - option	Hybrid DC/Gas Honda 5.5 hp (4.1 kW)
Fuel tank capacity	.95 gal 3.6 L
Hydraulic tank capacity	4.75 gal 18 L
Hydraulic system capacity	8.0 gal 30 L

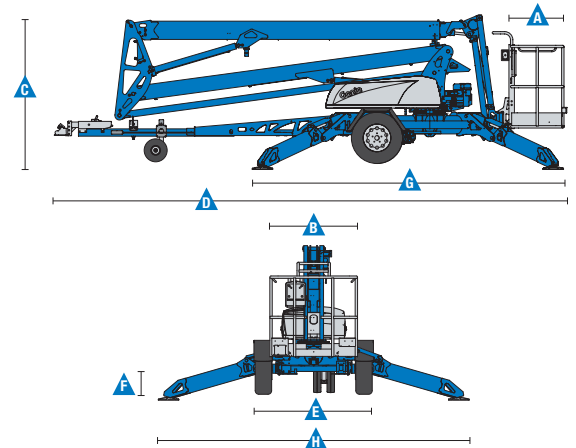
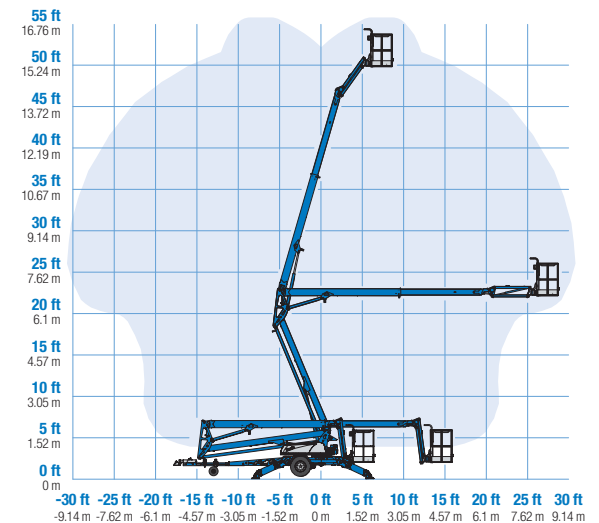
### Weight\*\*\*

ANSI, CSA, Australia	4,400 lbs	1,996 kg
CE	4,464 lbs	2,025 kg

### Standards Compliance

ANSI A92.2, CSA C225, EN 280, AS 1418.10

### Range Of Motion TZ-50



\* The metric equivalent of working height adds 2 m to platform height. U.S. adds 6 ft to platform height.

\*\* Gradeability applies to driving on slopes. See operator's manual for details regarding slope ratings.

\*\*\* Weight will vary depending on options and/or country standards.

### Features

#### Standard Features

##### Measurements

- 55 ft 6 in (17.09 m) working height
- 29 ft 2 in (8.89 m) horizontal reach
- Up to 500 lbs (227 kg) lift capacity

##### Productivity

- Industry leading working envelope
- Extension boom
- Self-leveling platform
- 4 ft jib with 135° working range
- AC wiring to platform
- Hydraulic outriggers
- Automatic 10° leveling system
- Outrigger interlocks
- Mechanical parking brake
- Hydraulic surge brakes
- Adjustable hitch with coupler lever lock
- Dual jockey wheels
- 359° non-continuous turntable rotation
- Easy to access batteries
- Hour meter
- Tilt alarm / sensor
- Illuminated outrigger indicators
- Highway safety chains with snap hook

##### Power

- 24V DC power source (four 6V 225 Ah batteries)

#### Configurations

##### Platform Options

- Aluminum 26.8 x 44 in (.68 x 1.12 m)
- 160° hydraulic platform rotation
- LED brake lights

##### Power Options

- 24V DC power source
- Hybrid Honda 5.5 Hp (4.1 Kw) 45 amp charging system

##### Drive

- Drive and set option (ANSI, CSA, AUS)
- Drive only (CE)

##### Coupler Options

###### Adjustable hitch

- 2 in (5.08 cm) ball coupler
- 2 5/16 in (5.87 cm) ball coupler
- 2 1/2 in (6.53 cm) I.D. pintle ring coupler
- Clevis coupler

##### Tire Options

- ST 225/75 R15 tires (ANSI, CSA)
- 215 R14C tires (CE)

#### Options & Accessories

##### Productivity

- 160° hydraulic platform rotation
- Drive and set option
- Wheel chocks
- Fluorescent tube caddy
- Full size spare tire
- Flashing beacon
- Non-marking outrigger footpads
- Battery charge indicator (BCI)
- Tool tray
- Bicycle guard (CE only)
- Horn
- LED brake lights
- High capacity battery
- Ladder option (CE and AUS only)

##### Power

- Hybrid Honda 5.5 Hp (4.1 Kw) 45 amp charging system option



#### Genie United States

18340 NE 76th Street  
P.O. Box 97030  
Redmond, Washington 98073-9730  
Telephone +1 (425) 881-1800  
Toll Free in USA/Canada +1 (800)-536-1800  
Fax +1 (425) 883-3475

#### Distributed By: