

COMPACT TRACK LOADER



Specifications

| | |
|--------------------|--------------------|
| Operating Weight | 8972 lb (4070 kg) |
| Tipping Load | 6200 lb (2812 kg) |
| Ground Pressure | 3.5 psi (24.1 kPa) |
| Gross Engine Power | 83 hp (62 kW) |

Features

- ▶ Multi-level suspension for exceptional traction and operator comfort.
- ▶ Easy operation with pilot-operated joystick controls and comfortable easy access operator station.
- ▶ Two-speed hydrostatic drive system offers fast travel speed and high torque work speed.
- ▶ Standard auxiliary hydraulics and hydraulic quick coupler attach easily to a wide range of industry-standard attachments.

WORKS FOR YOU.™

SPECIFICATIONS

OPERATING SPECIFICATIONS

| | |
|-------------------------------------|---------------------|
| Operating Weight | 8972 lb (4070 kg) |
| Shipping Weight | 8060 lb (3656 kg) |
| Ground Pressure @ Operating Weight | 3.5 psi (24.1 kPa) |
| Tipping Load | 6200 lb (2812 kg) |
| Operating Capacity 50% Tipping Load | 3100 lb (1406 kg) |
| Operating Capacity 35% Tipping Load | 2170 lb (984 kg) |
| Travel Speed Low Range | 0-7 mph (11 kph) |
| Travel Speed High Range | 0-12.5 mph (20 kph) |

ENGINE

| | |
|-------------------------------|---|
| Type | Diesel 4-cylinder turbocharged |
| Model | Perkins 804D-33T |
| Displacement | 202 in ³ (3.3 L) |
| Gross Power Rating @ 2800 rpm | 83 hp (62 kW) |
| Torque Peak | 195.5 lb-ft (265 Nm) |
| Cooling System | Engine-driven fan and coolant/anti-freeze-filled radiator |
| Engine Block Heater | Standard AC plug-in type |
| Intake Air Cleaner | Dual stage |
| Emission Controls | Meets all U.S. EPA Tier 3 standards |

UNDERCARRIAGE

Track Type: General purpose track constructed of rubber compound with embedded co-polymer cords and all-purpose treads. Three rows of track drive lugs molded in. Turf Track with smooth tread available as an option.

| | |
|------------------------------------|--|
| Track Width | Standard - 18 in (457 mm) Optional - 20 in (508 mm) |
| Length of Track On Ground | 71 in (1803 mm) |
| Ground Contact Area | 2556 in ² (1.65 m ²) |
| Ground Contact Area Optional Track | 2840 in ² (1.83 m ²) |
| Drive System | Two hydrostatic direct drive sprockets controlled by a single joystick |
| Track Drive Sprocket | Elevated with low friction replaceable sprocket rollers |
| Undercarriage Suspension | Two independent torsion axles per undercarriage |
| Roller Wheels: | 24 high-density polyurethane and rubber wheels per track. Wheel bearings protected by metal-faced seals. |
| Roller Wheel Diameter | Front wheels - 15 in (381 mm) Other wheels - 10 in (254 mm) |

SERVICE CAPACITIES

| | |
|-----------------------------|-------------------|
| Fuel Tank | 18 gal (68 L) |
| Hydraulic Tank | 21 gal (79 L) |
| Engine Coolant/Antifreeze | 3 gal (12 L) |
| Engine Oil Including Filter | 9 quarts (8.52 L) |



AUXILIARY HYDRAULIC SYSTEM

| | |
|-----------------------|--|
| Pump capacity | Low: Variable from 0-17.4 gpm (65.9 lpm) High: 30 gpm (113.6 lpm) |
| System pressure, max. | 3,000 psi (20 670 kPa) |
| Controls | Intermittent via joystick button or continuous via console switch, mode selectable via dash-mounted switch |
| Couplers | Push-to-connect quick couplers mounted on loader arms. Pressure relief valve mounted to coupler block. |
| Cooling system | High efficiency side-by-side radiator and oil cooler |

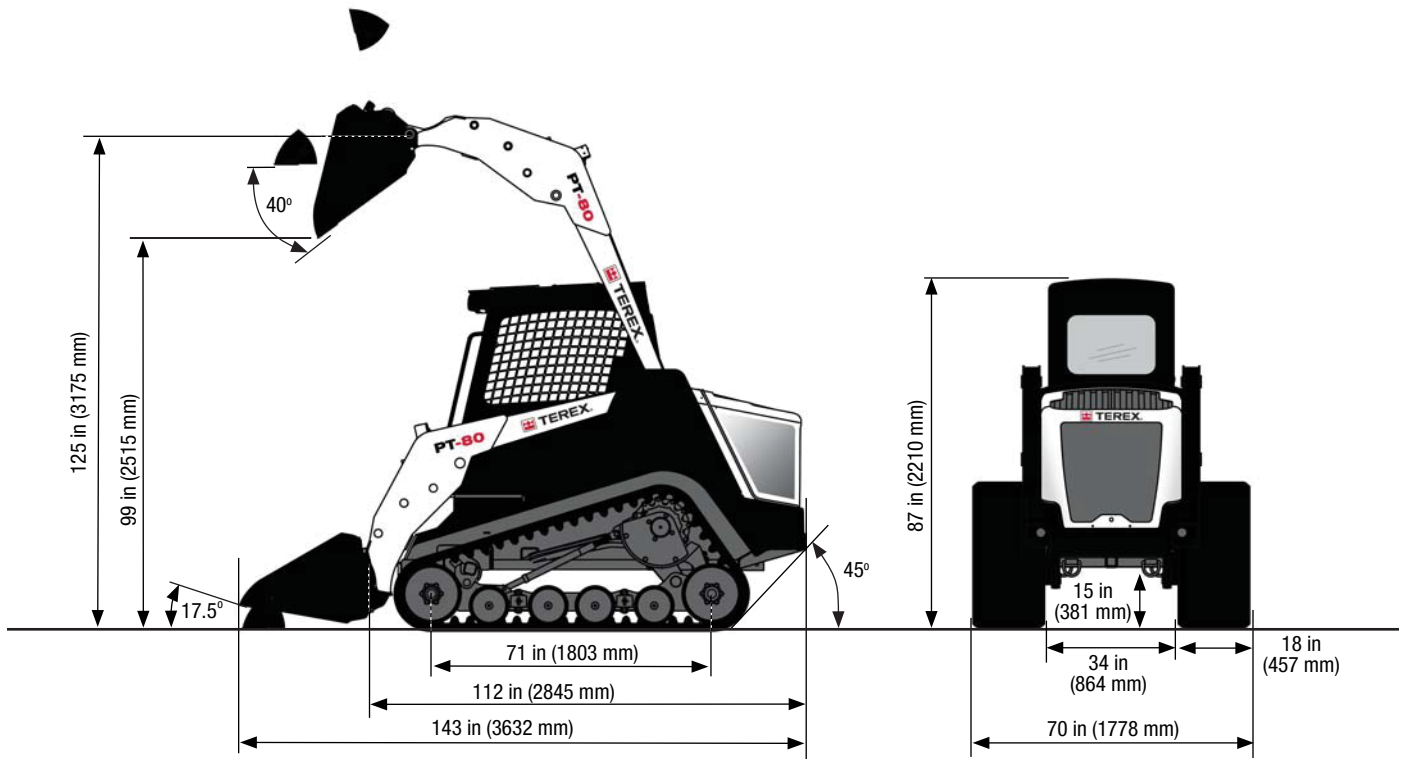
ELECTRICAL SYSTEM

| | |
|-----------------|---|
| Nominal charge | 12 V |
| Battery | 950 CCA |
| Charging system | 90 amp alternator |
| Outlets | 1-12 V port inside operator station |
| Wiring | Pre-wired for all factory-available accessories |

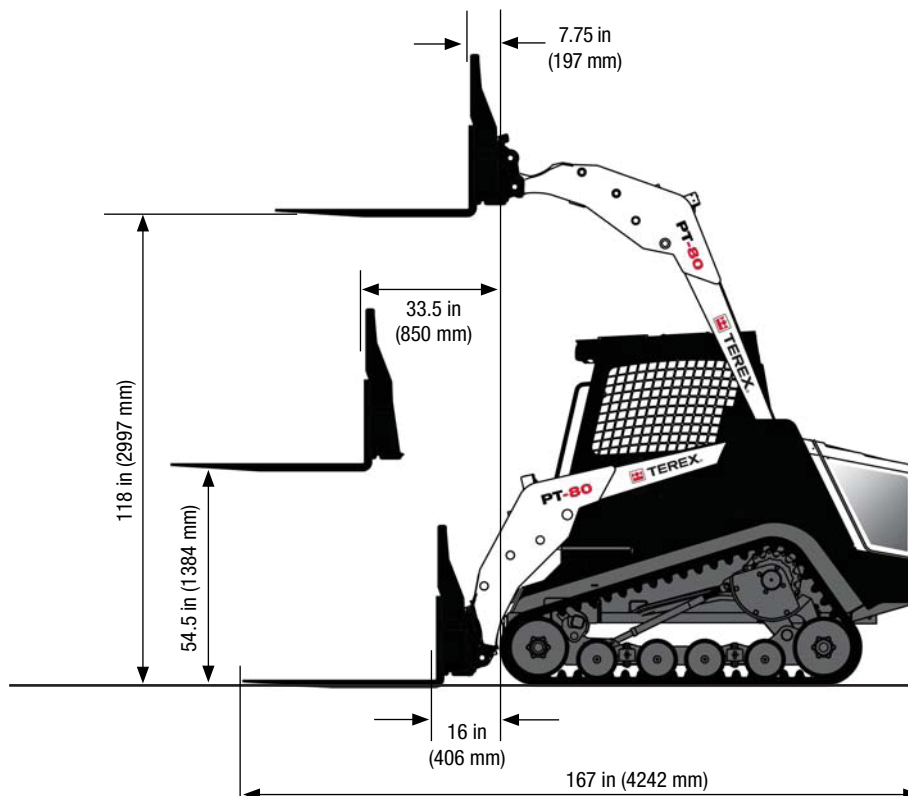
OPERATOR STATION

| | |
|-------------------|---|
| Seat: | Adjustable contour vinyl seat with built-in operator presence switch and 3-inch (76 mm) wide seat belt. |
| Loader Control: | Right-hand pilot hydraulic joystick controls loader lift/lower and tilt, plus intermittent control of auxiliary hydraulic. |
| Drive Control: | Left-hand pilot hydraulic joystick controls machine speed and direction. |
| Engine Speed | Foot pedal |
| Indicators/Gauges | Engine Oil Low-Pressure Light Hydraulic Oil High-Temperature Light Engine High-Temperature Light Low Battery Voltage Light Tachometer Hour Meter Fuel Gauge |
| ROPS | Meets SAE J1040 MAY94, ISO 3471:1994 |
| FOPS | Meets SAE J1043 SEPT87, ISO 3449:1992 |
| Illumination | 4 - Fixed forward-facing halogen lights 1 - Adjustable rear-facing halogen light 1 - Interior light |
| Convenience | 12 V power port |

DIMENSIONS: GENERAL PURPOSE BUCKET



DIMENSIONS: PALLET FORK ATTACHMENT



OPTIONAL EQUIPMENT

ATTACHMENTS

| | |
|-------------------------|------------------|
| Auger & bits | Land leveler |
| Backhoe | Pallet forks |
| Broom, rotary | Power box rake |
| Bucket, general purpose | Snow blade |
| Bucket, light material | Snow blower |
| Bucket, multi-purpose | Stump grinder |
| Brush cutter, rotary | Trencher |
| Dozer blade | Vibratory roller |

OPERATOR STATION OPTIONS

| | |
|--|--------------------------------------|
| Beacon, rotating | Front door, (glass or polycarbonate) |
| Bucket positioning, automatic | Suspension seat |
| Cold-weather cab with wiper and heater | Windows, side, sliding |
| All-weather cab with wiper, A/C and heater | |

www.terex.com

Effective Date: March 2011. Product specifications and prices are subject to change without notice or obligation. The photographs and/or drawings in this document are for illustrative purposes only. Refer to the appropriate Operator's Manual for instructions on the proper use of this equipment. Failure to follow the appropriate Operator's Manual when using our equipment or to otherwise act irresponsibly may result in serious injury or death. The only warranty applicable to our equipment is the standard written warranty applicable to the particular product and sale and Terex makes no other warranty, express or implied. Products and services listed may be trademarks, service marks, or trade names of Terex Corporation and/or its subsidiaries in the USA and other countries. All rights are reserved. Terex is a registered trademark of Terex Corporation in the USA and many other countries. © 2011 Terex Corporation.

Terex Construction 8800 Rostin Road, Southaven, MS 38671 USA
Tel +1 (888) 90-TEREX www.terex.com



WORKS FOR YOU.™

PT80 032011v1 PN 280105