



MOTREC™
ELECTRIC VEHICLES FOR INDUSTRY

MOTREC INTERNATIONAL INC.
Gene H. Kruger Industrial Park
200 Des PME Street
Sherbrooke, Quebec
J1C 0R2 CANADA

TF 1-866-846-3558
1-819-846-2010
1-819-846-3050
www.motrec.com

Description:

The E-360 burden carrier is a UL Approved Type E Powered Industrial Truck.

It stands out with superior maneuverability and safety. Rear batteries increase weight on the traction drive, enhancing the braking performance with a short stopping distance. Steering is smoother thanks to less weight on the front axle.

Low maintenance is guaranteed by dependable automotive differential and disc brakes, with large bolt-on discs.

Benefits:

RUGGEDNESS. Automotive ring gear differential, axle shafts on roller bearings.

DEPENDABILITY. Large automotive self-adjusting disc brakes.

MANEUVERABILITY. Short turning radius. Less weight on front axle.

COMFORT. Bucket seats on slide adjusters.

STURDINESS. 14-G diamond-plate steel, tubular frame.

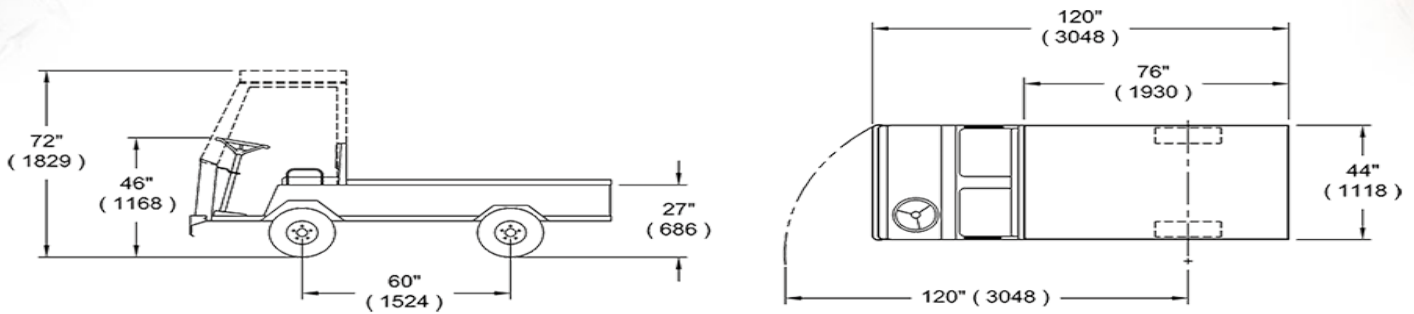
DURABILITY. Bolt-on front bumper.

E-360



Vehicle shown may have optional accessories

Dimensions:



Standard Equipment & Features

Type: 36-volt Personnel Carrier

Capacity: *3,000 lb.

Speed: 10 mph (16 km/h)

Motor: 10 hp

Controller: Electronic speed controller

Battery: Six 6V-232AH batteries

Charger: High-Frequency Charger, improves battery performance, prevents current surge, 50/60HZ, 110/220VAC

Transmission: GOODYEAR Eagle Synchronous drive

Drive axle: Differential with automotive ring gear

Brakes: Rear hydraulic brakes, 11

Steering: Automotive steering wheel

Suspension: Dual leaf springs on front and rear

Seats: Two bucket seats on slide adjusters

Indicators: Battery status indicator

Safety features: Deadman seat switch, reverse alarm, Horn

Lights: Dual head lights, dual tail/brake lights

Accessories: Bolt-on Front Bumper

Wheels: 5.7x8 LRC pneumatic tires

Unit weight: 1,650 lb. (750 kg) w Batteries

Certifications: Conforms to requirements for type E as stated in UL 583 and ANSI B56.8

Notes: *includes passenger weight of 200 lbs. Specifications and standard equipment are subject to change without notice.



About Motrec

- [History](#)
- [President's Message](#)
- [Motrec Commitment](#)
- [Product Certifications](#)
- [Employment Opportunities](#)
- [Contact Us](#)

Vehicle Selection

- [Burden Carriers](#)
- [Personnel Carriers](#)
- [Trams](#)
- [Stock Chasers](#)
- [Tow Tractors](#)
- [Gas-Powered Vehicles](#)
- [Utility Vehicles](#)
- [Custom Vehicles](#)

Information

- [Motrec Parts](#)
- [End-Users](#)
- [Become a Dealer](#)
- [Newsletters](#)
- [Information Request Form](#)
- [Vehicle Application Form](#)
- [Dealer Login](#)