



MOTREC™
ELECTRIC VEHICLES FOR INDUSTRY

MOTREC INTERNATIONAL INC.
Gene H. Kruger Industrial Park
200 Des PME Street
Sherbrooke, Quebec
J1C 0R2 CANADA

TF 1-866-846-3558
1-819-846-2010
1-819-846-3050
www.motrec.com

Description:

The G-448HD is a dependable tow tractor with the endurance of a water-cooled gas engine, hydrostatic transmission and dual hydraulic wheel motors.

The G-500 drives smoothly like a car with its automatic speed control; no pedal is required to shift gears. This leaves the operator free to concentrate completely on the task at hand.

Add the heated cab option for weather protection.

Benefits:

ENDURANCE. Water-cooled engine.

RUGGEDNESS. Hydrostatic transmission, dual hydraulic wheel motors.

DEPENDABILITY. Self-adjusting hydraulic brakes, 11" automotive discs.

MANEUVERABILITY. Short turning radius.

COMFORT. Bucket seats on slide adjusters.

STURDINESS. 14-G diamond-plate steel, tubular frame.

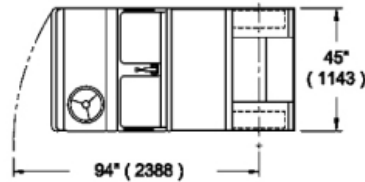
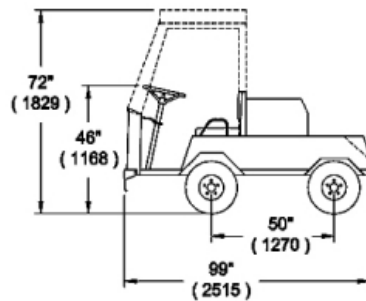
DURABILITY. Optional bolt-on front bumper.

G-448HD



Vehicle shown may have optional accessories

Dimensions:



Standard Equipment & Features

Type: Gas Tow Tractor	Brakes: 4-wheel hydraulic brakes, 11
Capacity: 30,000 lbs (13,636 kg) towing capacity	Steering: Dual hydraulic rear wheel motors, Automotive steering gear
Speed: 8 mph	Suspension: Front and rear leaf spring suspensions, dual shock absorbers on front
Motor: N/A	Seats: Two bucket seats on slide adjusters
Controller: N/A	Indicators: Seat switch, neutral start switch, reverse alarm, low oil and high temperature automatic engine shut down
Battery: N/A	Safety features: Horn, Fuel gauge, temperature gauge, Hour meter
Charger: N/A	Lights: Dual headlights, dual tail/brake lights,
Transmission: Hydrostatic transmission	Accessories: Bolt-on front Bumpers
Drive axle: N/A	Wheels: 5.7x8 pneumatic tires
Notes:	Unit weight: 2,000 lb. (727 kg)
	Certifications: N/A



About Motrec

- [History](#)
- [President's Message](#)
- [Motrec Commitment](#)
- [Product Certifications](#)
- [Employment Opportunities](#)
- [Contact Us](#)

Vehicle Selection

- [Burden Carriers](#)
- [Personnel Carriers](#)
- [Trams](#)
- [Stock Chasers](#)
- [Tow Tractors](#)
- [Gas-Powered Vehicles](#)
- [Utility Vehicles](#)
- [Custom Vehicles](#)

Information

- [Motrec Parts](#)
- [End-Users](#)
- [Become a Dealer](#)
- [Newsletters](#)
- [Information Request Form](#)
- [Vehicle Application Form](#)
- [Dealer Login](#)