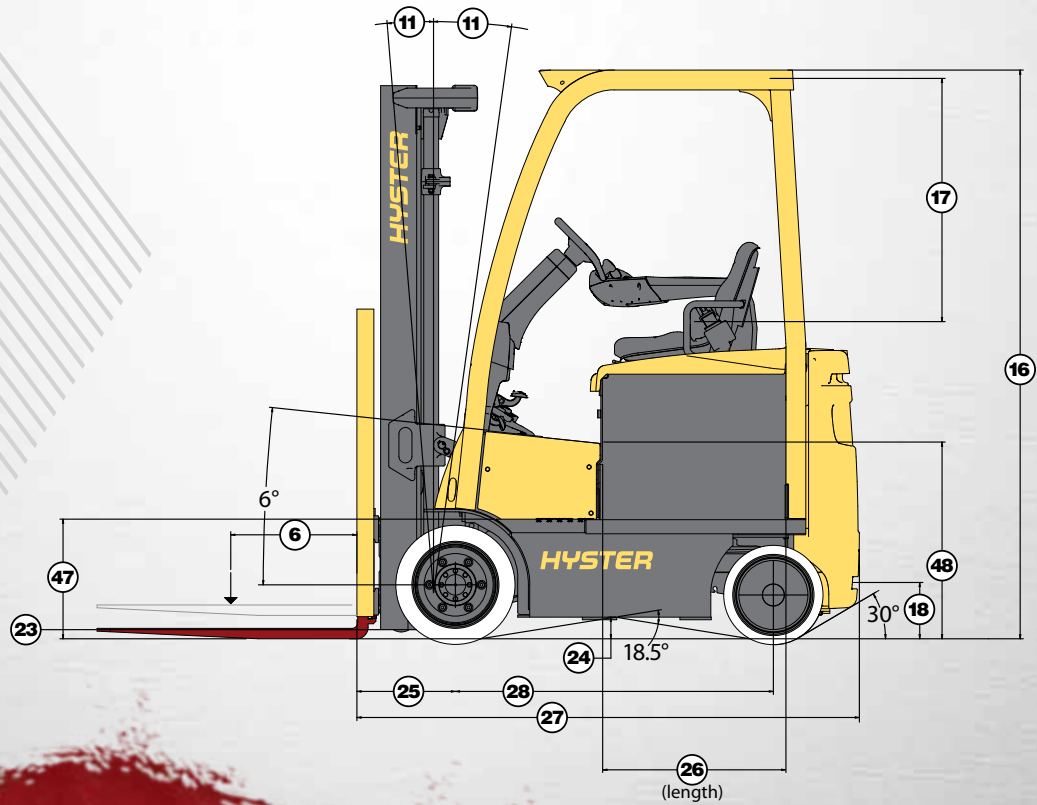
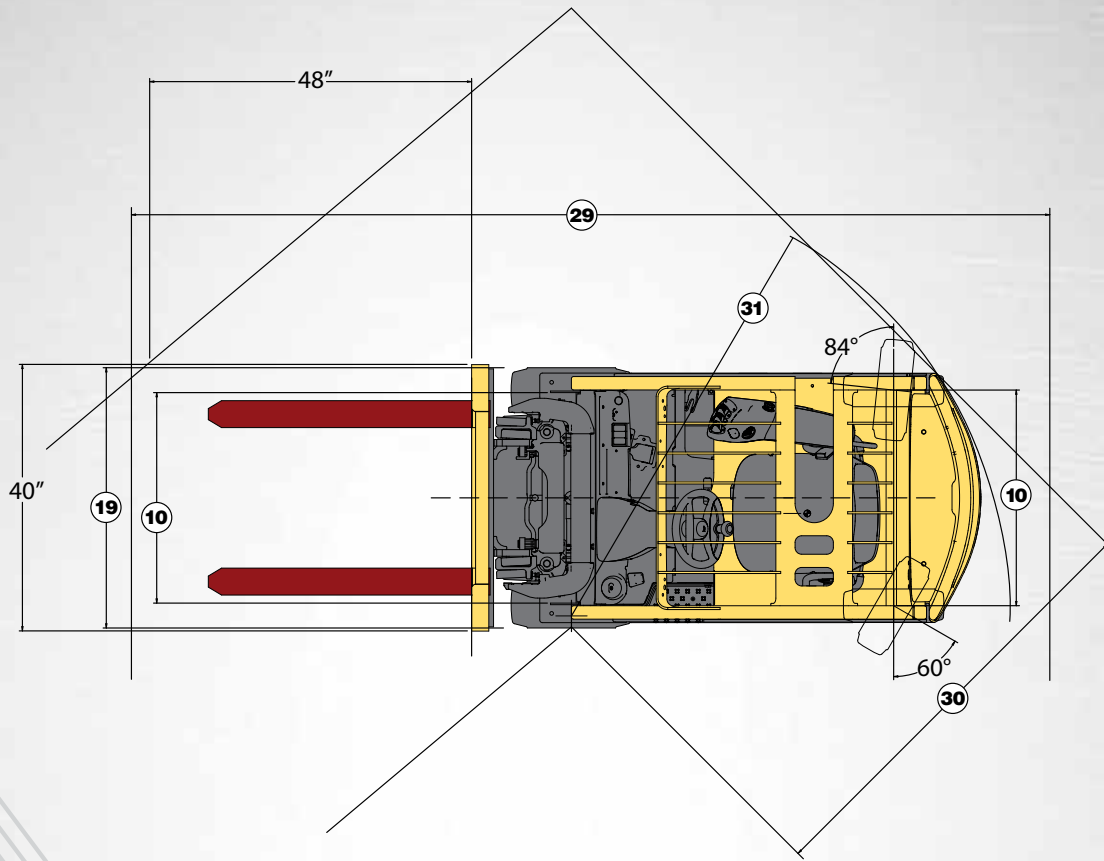


E30-40XN SERIES



TECHNICAL GUIDE
Counterbalanced Electric, Cushion Tire

E30-40XN DIMENSIONS



Circled dimensions correspond to the line numbers on the tabulated chart inside the Technical Guide. Dimensions are in inches (millimeters).

E30XN SPECIFICATIONS

				Hyster			
GENERAL	1	Manufacturer		Hyster			
	2	Model Designation		E30XN			
	3	Power		Electric			
	4	Operation		Sit			
	5	Rated Capacity		lb. (kg)	3000 (1361)		
TIRES	6	Load Center		in. (mm)	24 (610)		
	7	Tire Type - Cushion, Solid, Pneumatic, etc.	Drive / Steer	Cushion / Cushion			
	8	Tire Size	Std Drive / Steer	in.	18 x 6 x 12.1 / 14 x 4.5 x 8		
			Opt Drive / Steer	in.	18 x 7 x 12.1 / 15 x 5 x 11.25		
	9	Wheels - Number	X=Driven Drive / Steer	2X / 2			
	10	Tread - Drive	Center of Tires	Nar / Int / Wide 6" / Wide 7"	in. (mm)	31 / 31.8 / 37 / 35.7 (788 / 808 / 939 / 906)	
		Tread - Steer	Center of Tires		in. (mm)	32.4 (822)	
	11	Mast Tilt	Std Opt		degrees	5F / 5B 10F / 5B	
	12	Mast - Lowered Height	Std Mast		in. (mm)	82 (2080)	
	DIMENSIONS	13	Free Lift - Top of Fork	Std 2 Stg Limited Free Lift Mast	in. (mm)	5 (140)	
			Opt 2 Stg Full Free Lift Mast with / without LBR	in. (mm)	31 / 57 (807 / 1456)		
14		Lift Height - Top of Fork	Std 2 Stg Limited Free Lift Mast	in. (mm)	127 (3232)		
15		Mast - Extended Height	Std Mast with / without LBR	in. (mm)	176 / 150 (4455 / 3806)		
16		Overhead Guard Height	Std & DIR / Opt Grid / Flat Plate	in. (mm)	88.5 / 86.5 / 83.5 (2248 / 2197 / 2121)		
17		SIP to Underside OHG	Depressed / Std OHG	Std / Full Susp	in. (mm)	38.7 / 38.9 (984 / 989)	
18		Tow Pin Height	Vertical Center of Pin		in. (mm)	9.1 (232)	
19		Overall Width	Nar / Int / Wide 6" / Wide 7" Tread		in. (mm)	37.2 / 38.8 / 43 / 42.7 (945 / 986 / 1091 / 1084)	
20		Forks	Thickness x Width x Length		in. (mm)	1.6 x 3.9 x 42 (40 x 100 x 1067)	
21		Standard Carriage Width	Class II		in. (mm)	35.7 (907)	
22		Floor to Top of Battery Rollers			in. (mm)	17.1 (435)	
23		Ground Clearance	Lowest Point	NL / RL	in. (mm)	3.5 / 3.3 (90 / 84)	
24		Ground Clearance	Center of Truck	NL / RL	in. (mm)	3.9 / 3.6 (98 / 92)	
25		Load Distance	Center of Wheel to Face of Forks		in. (mm)	14.2 (360)	
26		Battery Compartment	Height	Std / Battery Rollers	in. (mm)	24 / 23.5 (610 / 597)	
			Width	UL Classification "E" / "EE"	in. (mm)	35.8 / 35.6 (909 / 904)	
			Length		in. (mm)	27.6 (700)	
27		Length to Face of Forks	Chassis Length		in. (mm)	75.1 (1908)	
28		Wheelbase			in. (mm)	48 (1220)	
29		Right Angle Stack			in. (mm)	127 (3226)	
30	Equal Aisle	90° Intersecting Aisle		in. (mm)	68.7 (1745)		
31	Outside Turning Radius			in. (mm)	64.7 (1644)		
WT.	32	Truck Weight	Without Battery NL	lb. (kg)	5130 (2327)		
	33	Axle Loading - Drive	Static with Max. Wt. Battery NL / RL	lb. (kg)	3460 / 8840 (1569 / 4010)		
	34	Axle Loading - Steer	Static with Max. Wt. Battery NL / RL	lb. (kg)	4170 / 1790 (1891 / 812)		
PERFORMANCE	35	Travel Speed	Extended Shift OFF	NL / RL	VOLTS		
			Extended Shift ON	NL / RL	36	48	
	36	Lift Speed	Std 2 Stg LFL Mast	NL / RL	mph (km/h)	11.4 / 11.4 (18.4 / 18.4)	
			Opt 2 Stg FFL Mast	NL / RL	ft/min (m/sec)	126 / 83 (0.64 / 0.424)	
			Opt 3 Stg FFL Mast	NL / RL	ft/min (m/sec)	113 / 75 (0.573 / 0.38)	
	37	Lower Speed	Std 2 Stg LFL Mast	NL / RL	ft/min (m/sec)	117 / 77 (0.594 / 0.393)	
			Opt 2 Stg FFL Mast	NL / RL	ft/min (m/sec)	93 / 100 (0.47 / 0.51)	
			Opt 3 Stg FFL Mast	NL / RL	ft/min (m/sec)	73 / 91 (0.37 / 0.46)	
	38	Gradability	5 Minute Rating	NL / RL	%	31.1 / 23.7	
			60 Minute Rating	NL / RL	%	7 / 5.4	
	39	Drawbar Pull	5 Minute Rating	NL / RL	lbf (N)	2734 / 2856 (12163 / 12705)	
			60 Minute Rating	NL / RL	lbf (N)	630 / 694 (2804 / 3087)	
40	Brake	Method of Control	Service / Parking	Hydraulic / Mechanical			
		Method of Operation	Service / Parking	Foot / Foot (Optional Park Brake - Automatic)			
ELECTRIC	41	Battery	Type	Lead Acid			
	42	Traction Motor	60 Minute Rating	hp (kW)	24.7 (18.4)		
	43	Pump Motor	S3-15%	hp (kW)	21.5 (16)		
	44	Traction Motor	Type / Control Method	AC / Transistor			
	45	Pump Motor	Type / Control Method	AC / Transistor			
46	Number of Speeds	Traction / Pump	Infinitely Variable / Infinitely Variable				
OTHER	47	Step Height		in. (mm)	18.7 (475)		
	48	Floor Height	Lowest Point	in. (mm)	30.4 (772)		
	49	Attachment Relief Pressure	Mech Levers / Mini Levers	psi (bar)	2596 / 2596 (179 / 179)		
	50	Auxiliary Oil Flow	3rd Function / 4th Function	gal/min (l/min)	10.6 / 10.6 (40 / 40)		
	51	Sound Level	Measured per ANSI B56.11.5	dB (A)	64		

Above specifications, unless otherwise listed, are for a standard truck without optional equipment.

Right Angle Stack and Equal Intersecting Aisle dimensions provided with a 48" long and 40" wide pallet load, allowing zero clearance.

CERTIFICATION: These Hyster® lift trucks meet design specifications of Part II ANSI B56.1-1969, as required by OSHA Section 1910.178(a)(2) and also comply with Part III ANSI B56.1-revision in effect at time of manufacture. Certification of compliance with the applicable ANSI standards appears on the lift truck. Performance specifications are for a truck equipped as described under Standard Equipment on this Technical Guide. Performance specifications are affected by the condition of the vehicle and how it is equipped, as well as by the nature, condition of the operating area, proper service and maintenance of the vehicle. If these specifications are critical, the proposed application should be discussed with your dealer.

E35XN SPECIFICATIONS

	GENERAL		TIRES		DIMENSIONS		WT.		PERFORMANCE		ELECTRIC		OTHER	
	1	Manufacturer				Hyster								
2	Model Designation				E35XN									
3	Power				Electric									
4	Operation				Sit									
5	Rated Capacity		lb. (kg)		3500 (1588)									
6	Load Center		in. (mm)		24 (610)									
7	Tire Type - Cushion, Solid, Pneumatic, etc.		Drive / Steer		Cushion / Cushion									
8	Tire Size		Std		Drive / Steer		in.		18 x 6 x 12.1 / 14 x 4.5 x 8					
			Opt		Drive / Steer		in.		18 x 7 x 12.1 / 15 x 5 x 11.25					
9	Wheels - Number		X=Driven		Drive / Steer				2X / 2					
10	Tread - Drive		Center of Tires		Nar / Int / Wide 6" / Wide 7"		in. (mm)		31 / 31.8 / 37 / 35.7 (788 / 808 / 939 / 906)					
	Tread - Steer		Center of Tires				in. (mm)		32.4 (822)					
11	Mast Tilt		Std Opt				degrees		5F / 5B 10F / 5B					
12	Mast - Lowered Height		Std Mast				in. (mm)		82 (2080)					
13	Free Lift - Top of Fork		Std 2 Stg Limited Free Lift Mast				in. (mm)		5 (140)					
			Opt 2 Stg Full Free Lift Mast with / without LBR				in. (mm)		31 / 57 (807 / 1456)					
14	Lift Height - Top of Fork		Std 2 Stg Limited Free Lift Mast				in. (mm)		127 (3232)					
15	Mast - Extended Height		Std Mast with / without LBR				in. (mm)		176 / 150 (4455 / 3806)					
16	Overhead Guard Height		Std & DIR / Opt Grid / Flat Plate				in. (mm)		88.5 / 86.5 / 83.5 (2248 / 2197 / 2121)					
17	SIP to Underside OHG		Depressed / Std OHG		Std / Full Susp		in. (mm)		38.7 / 38.9 (984 / 989)					
18	Tow Pin Height		Vertical Center of Pin				in. (mm)		9.1 (232)					
19	Overall Width		Nar / Int / Wide 6" / Wide 7" Tread				in. (mm)		37.2 / 38.8 / 43 / 42.7 (945 / 986 / 1091 / 1084)					
20	Forks		Thickness x Width x Length				in. (mm)		1.6 x 3.9 x 42 (40 x 100 x 1067)					
21	Standard Carriage Width		Class II				in. (mm)		35.7 (907)					
22	Floor to Top of Battery Rollers						in. (mm)		17.1 (435)					
23	Ground Clearance		Lowest Point		NL / RL		in. (mm)		3.5 / 3.3 (90 / 84)					
24	Ground Clearance		Center of Truck		NL / RL		in. (mm)		3.9 / 3.6 (98 / 92)					
25	Load Distance		Center of Wheel to Face of Forks				in. (mm)		14.2 (360)					
26	Battery Compartment		Height		Std / Battery Rollers		in. (mm)		24 / 23.5 (610 / 597)					
			Width		UL Classification "E" / "EE"		in. (mm)		35.8 / 35.6 (909 / 904)					
			Length				in. (mm)		27.6 (700)					
27	Length to Face of Forks		Chassis Length				in. (mm)		75.9 (1929)					
28	Wheelbase						in. (mm)		48 (1220)					
29	Right Angle Stack						in. (mm)		127.8 (3247)					
30	Equal Aisle		90° Intersecting Aisle				in. (mm)		68.8 (1748)					
31	Outside Turning Radius						in. (mm)		65.2 (1657)					
32	Truck Weight		Without Battery		NL		lb. (kg)		5390 (2445)					
33	Axle Loading - Drive		Static with Max. Wt. Battery		NL / RL		lb. (kg)		3400 / 9680 (1542 / 4391)					
34	Axle Loading - Steer		Static with Max. Wt. Battery		NL / RL		lb. (kg)		4490 / 1710 (2037 / 776)					
							VOLTS		36		48			
35	Travel Speed		Extended Shift OFF		NL / RL		mph (km/h)		11.4 / 11.4 (18.4 / 18.4)		11.4 / 11.4 (18.4 / 18.4)			
			Extended Shift ON		NL / RL		mph (km/h)		11.4 / 10.7 (18.4 / 17.3)		11.4 / 11.4 (18.4 / 18.4)			
36	Lift Speed		Std 2 Stg LFL Mast		NL / RL		ft/min (m/sec)		126 / 77 (0.64 / 0.392)		142 / 96 (0.72 / 0.49)			
			Opt 2 Stg FFL Mast		NL / RL		ft/min (m/sec)		113 / 69 (0.573 / 0.351)		127 / 86 (0.645 / 0.439)			
			Opt 3 Stg FFL Mast		NL / RL		ft/min (m/sec)		117 / 72 (0.594 / 0.364)		131 / 90 (0.668 / 0.455)			
37	Lower Speed		Std 2 Stg LFL Mast		NL / RL		ft/min (m/sec)		93 / 100 (0.47 / 0.51)					
			Opt 2 Stg FFL Mast		NL / RL		ft/min (m/sec)		73 / 91 (0.37 / 0.46)					
			Opt 3 Stg FFL Mast		NL / RL		ft/min (m/sec)		81 / 94 (0.41 / 0.48)					
38	Gradability		5 Minute Rating		NL / RL		%		30.8 / 23		33.8 / 23.5			
			60 Minute Rating		NL / RL		%		7 / 5.2		7.4 / 5.6			
39	Drawbar Pull		5 Minute Rating		NL / RL		lbf (N)		2681 / 2800 (11924 / 12455)		2738 / 2857 (12178 / 12709)			
			60 Minute Rating		NL / RL		lbf (N)		618 / 680 (2748 / 3026)		630 / 694 (2804 / 3088)			
40	Brake		Method of Control		Service / Parking				Hydraulic / Mechanical					
			Method of Operation		Service / Parking				Foot / Foot (Optional Park Brake - Automatic)					
41	Battery		Type						Lead Acid					
42	Traction Motor		60 Minute Rating				hp (kW)		24.7 (18.4)		24.7 (18.4)			
43	Pump Motor		S3-15%				hp (kW)		21.5 (16)		21.5 (16)			
44	Traction Motor		Type / Control Method						AC / Transistor					
45	Pump Motor		Type / Control Method						AC / Transistor					
46	Number of Speeds		Traction / Pump						Infinitely Variable / Infinitely Variable					
47	Step Height						in. (mm)		18.7 (475)					
48	Floor Height		Lowest Point				in. (mm)		30.4 (772)					
49	Attachment Relief Pressure		Mech Levers / Mini Levers				psi (bar)		2596 / 2596 (179 / 179)					
50	Auxiliary Oil Flow		3rd Function / 4th Function				gal/min (l/min)		10.6 / 10.6 (40 / 40)					
51	Sound Level		Measured per ANSI B56.11.5				dB (A)		64					

Above specifications, unless otherwise listed, are for a standard truck without optional equipment.

Right Angle Stack and Equal Intersecting Aisle dimensions provided with a 48" long and 40" wide pallet load, allowing zero clearance.

CERTIFICATION: These Hyster® lift trucks meet design specifications of Part II ANSI B56.1-1969, as required by OSHA Section 1910.178(a)(2) and also comply with Part III ANSI B56.1-revision in effect at time of manufacture. Certification of compliance with the applicable ANSI standards appears on the lift truck. Performance specifications are for a truck equipped as described under Standard Equipment on this Technical Guide. Performance specifications are affected by the condition of the vehicle and how it is equipped, as well as by the nature, condition of the operating area, proper service and maintenance of the vehicle. If these specifications are critical, the proposed application should be discussed with your dealer.

E40XN SPECIFICATIONS

	GENERAL		Hyster		
	1	Manufacturer	Hyster		
2	Model Designation	E40XN			
3	Power	Electric			
4	Operation	Sit			
5	Rated Capacity	lb. (kg)	4000 (1814)		
6	Load Center	in. (mm)	24 (610)		
TIRES	7	Tire Type - Cushion, Solid, Pneumatic, etc.	Drive / Steer	Cushion / Cushion	
	8	Tire Size	Std Drive / Steer	in. 18 x 7 x 12.1 / 15 x 5 x 11.25	
			Opt Drive / Steer	in. N / A / N / A	
	9	Wheels - Number	X=Driven Drive / Steer	2X / 2	
DIMENSIONS	10	Tread - Drive	Center of Tires	Nar / Int / Wide 6" / Wide 7" in. (mm) N/A / 31.8 / N/A / 35.7 (N/A / 808 / N/A / 906)	
		Tread - Steer	Center of Tires	in. (mm) 32.4 (822)	
	11	Mast Tilt	Std Opt	degrees 5F / 5B 10F / 5B	
	12	Mast - Lowered Height	Std Mast	in. (mm) 82 (2080)	
	13	Free Lift - Top of Fork	Std 2 Stg Limited Free Lift Mast	in. (mm) 5 (140)	
			Opt 2 Stg Full Free Lift Mast with / without LBR	in. (mm) 31 / 57 (807 / 1456)	
	14	Lift Height - Top of Fork	Std 2 Stg Limited Free Lift Mast	in. (mm) 127 (3232)	
	15	Mast - Extended Height	Std Mast with / without LBR	in. (mm) 176 / 150 (4455 / 3806)	
	16	Overhead Guard Height	Std & DIR / Opt Grid / Flat Plate	in. (mm) 88.5 / 86.5 / 83.5 (2248 / 2197 / 2121)	
	17	SIP to Underside OHG	Depressed / Std OHG	Std / Full Susp	in. (mm) 38.7 / 38.9 (984 / 989)
	18	Tow Pin Height	Vertical Center of Pin	in. (mm) 9.1 (232)	
	19	Overall Width	Nar / Int / Wide 6" / Wide 7" Tread	in. (mm) 38.8 / 42.7 (986 / 1084)	
	20	Forks	Thickness x Width x Length	in. (mm) 1.6 x 3.9 x 42 (40 x 100 x 1067)	
	21	Standard Carriage Width	Class II	in. (mm) 35.7 (907)	
	22	Floor to Top of Battery Rollers		in. (mm) 17.1 (435)	
	23	Ground Clearance	Lowest Point	NL / RL	in. (mm) 3.5 / 3.3 (90 / 84)
			Center of Truck	NL / RL	in. (mm) 3.9 / 3.6 (98 / 92)
	24	Ground Clearance	Center of Wheel to Face of Forks	in. (mm) 14.2 (360)	
	25	Load Distance			
	26	Battery Compartment	Height	Std / Battery Rollers	in. (mm) 24 / 23.5 (610 / 597)
			Width	UL Classification "E" / "EE"	in. (mm) 35.8 / 35.6 (909 / 904)
			Length		in. (mm) 27.6 (700)
	27	Length to Face of Forks	Chassis Length	in. (mm) 77.5 (1968)	
28	Wheelbase		in. (mm) 48 (1220)		
29	Right Angle Stack		in. (mm) 128.7 (3270)		
30	Equal Aisle	90° Intersecting Aisle	in. (mm) 69.1 (1754)		
31	Outside Turning Radius		in. (mm) 66.6 (1692)		
WT.	32	Truck Weight	Without Battery	lb. (kg) 5770 (2617)	
	33	Axle Loading - Drive	Static with Max. Wt. Battery	lb. (kg) 3340 / 10510 (1515 / 4767)	
	34	Axle Loading - Steer	Static with Max. Wt. Battery	lb. (kg) 4830 / 1760 (2191 / 798)	
PERFORMANCE	35	Travel Speed	Extended Shift OFF	NL / RL	VOLTS 36 48
			mph (km/h) 11.4 / 10.5 (18.4 / 16.9) 11.4 / 11.4 (18.4 / 18.4)		
	36	Lift Speed	Extended Shift ON	NL / RL	mph (km/h) 11.4 / 9.5 (18.4 / 15.3) 11.4 / 11.1 (18.4 / 17.9)
			Std 2 Stg LFL Mast	NL / RL	ft/min (m/sec) 126 / 74 (0.64 / 0.376) 142 / 93 (0.72 / 0.47)
	37	Lower Speed	Opt 2 Stg FFL Mast	NL / RL	ft/min (m/sec) 113 / 66 (0.573 / 0.337) 127 / 83 (0.645 / 0.421)
			Opt 3 Stg FFL Mast	NL / RL	ft/min (m/sec) 117 / 69 (0.594 / 0.349) 131 / 86 (0.668 / 0.436)
			Std 2 Stg LFL Mast	NL / RL	ft/min (m/sec) 93 / 100 (0.47 / 0.51)
			Opt 2 Stg FFL Mast	NL / RL	ft/min (m/sec) 73 / 91 (0.37 / 0.46)
	38	Gradability	Opt 3 Stg FFL Mast	NL / RL	ft/min (m/sec) 81 / 94 (0.41 / 0.48)
			5 Minute Rating	NL / RL	% 30.4 / 22.7 33.6 / 23.2
	39	Drawbar Pull	60 Minute Rating	NL / RL	% 7 / 5 7.4 / 5.4
			5 Minute Rating	NL / RL	lbf (N) 2621 / 2744 (11658 / 12205) 2681 / 2801 (11924 / 12459)
40	Brake	60 Minute Rating	NL / RL	lbf (N) 605 / 667 (2693 / 2965) 617 / 680 (2745 / 3023)	
		Method of Control	Service / Parking	Hydraulic / Mechanical	
ELECTRIC	41	Battery	Method of Operation	Service / Parking	Foot / Foot (Optional Park Brake - Automatic)
			Type		Lead Acid
	42	Traction Motor	60 Minute Rating	hp (kW) 24.7 (18.4) 24.7 (18.4)	
	43	Pump Motor	S3-15%	hp (kW) 21.5 (16) 21.5 (16)	
	44	Traction Motor	Type / Control Method	AC / Transistor	
	45	Pump Motor	Type / Control Method	AC / Transistor	
	46	Number of Speeds	Traction / Pump	Infinitely Variable / Infinitely Variable	
	47	Step Height		in. (mm) 18.7 (475)	
OTHER	48	Floor Height	Lowest Point	in. (mm) 30.4 (772)	
	49	Attachment Relief Pressure	Mech Levers / Mini Levers	psi (bar) 2596 / 2596 (179 / 179)	
	50	Auxiliary Oil Flow	3rd Function / 4th Function	gal/min (l/min) 10.6 / 10.6 (40 / 40)	
	51	Sound Level	Measured per ANSI B56.11.5	dB (A) 64	

Above specifications, unless otherwise listed, are for a standard truck without optional equipment.

Right Angle Stack and Equal Intersecting Aisle dimensions provided with a 48" long and 40" wide pallet load, allowing zero clearance.

CERTIFICATION: These Hyster® lift trucks meet design specifications of Part II ANSI B56.1-1969, as required by OSHA Section 1910.178(a)(2) and also comply with Part III ANSI B56.1-revision in effect at time of manufacture. Certification of compliance with the applicable ANSI standards appears on the lift truck. Performance specifications are for a truck equipped as described under Standard Equipment on this Technical Guide. Performance specifications are affected by the condition of the vehicle and how it is equipped, as well as by the nature, condition of the operating area, proper service and maintenance of the vehicle. If these specifications are critical, the proposed application should be discussed with your dealer.

E30-40XN MAST DIMENSIONS

Maximum Fork Height (TOF) +	Overall Lowered Ht.	Overall Extended Height w/Load Backrest	Overall Extended Height w/o Load Backrest	Free-Lift (TOF) w/ Load Backrest	Free-Lift (TOF) w/o Load Backrest
in. (mm)	in. (mm)	in. (mm)	in. (mm)	in. (mm)	in. (mm)
2-STAGE LIMITED FREE-LIFT (LFL) MAST					
127 (3232)	82 (2080)	176 (4455)	150 (3806)	5 (140)	5 (140)
2-STAGE FULL FREE-LIFT (FFL) MAST					
126 (3218)	82 (2080)	176 (4461)	151 (3812)	31 (807)	57 (1456)
138 (3518)	88 (2230)	188 (4761)	162 (4112)	37 (957)	63 (1606)
3-STAGE FULL FREE-LIFT (FFL) MAST					
181 (4600)	80 (2030)	224 (5025)	204 (5174)	29 (757)	55 (1406)
187 (4750)	82 (2080)	236 (5325)	210 (5324)	31 (807)	57 (1455)
192 (4900)	84 (2130)	238 (5375)	216 (5474)	33 (857)	59 (1506)
198 (5050)	88 (2230)	248 (5625)	222 (5624)	37 (957)	63 (1606)
216 (5500)	94 (2380)	265 (6075)	240 (6074)	43 (1107)	69 (1756)

BATTERY and COMPARTMENT SPECIFICATIONS Trucks with UL Type "E" Construction

Battery Compartment Dimensions				Battery Dimensions and Specifications										
Compartment Type	Width	Length	Height	"X"		"Y"		"Z"	Volts	No. of Cells	Plates per Cell	Max Capacity 6 Hour Rate	Weight	
				Min	Max	Min	Max						Max	Min
	in (mm)			in (mm)								amp hr (kwh)	lb (kg)	
Vertical Removal (Lift Out)	35.8 (909)	27.6 (700)	24 (610)	30.9 (784)	35.7 (907)	25.7 (654)	27.2 (692)	23.5 (598)	36	18	17 - 19	1200 (40.6)	1850 (839)	2500 (1132)
									48	24	13 - 15	1000 (45.2)		
Horizontal Removal with Battery Rollers	35.8 (909)	27.6 (700)	23.5 (597)	30.9 (784)	35.7 (907)	25.7 (654)	27.2 (692)	23 (585)	36	18	17 - 19	1200 (40.6)	1850 (839)	2500 (1132)
									48	24	13 - 15	1000 (45.2)		

BATTERY and COMPARTMENT SPECIFICATIONS Trucks with UL Type "EE" Construction

BATTERY COMPARTMENT DIMENSIONS				BATTERY DIMENSIONS AND SPECIFICATIONS										
Compartment Type	Width	Length	Height	"X"		"Y"		"Z"	Volts	No. of Cells	Plates per Cell	Max Capacity 6 Hour Rate	Weight	
				Min	Max	Min	Max						Max	Min
	in (mm)			in (mm)								amp hr (kwh)	lb (kg)	
Vertical Removal (Lift Out)	35.6 (904)	27.6 (700)	24 (610)	30.9 (784)	35.5 (902)	25.7 (654)	27.2 (692)	23.5 (598)	36	18	17 - 19	1200 (40.6)	1850 (839)	2500 (1132)
									48	24	13 - 15	1000 (45.2)		
Horizontal Removal with Battery Rollers	35.6 (904)	27.6 (700)	23.5 (597)	30.9 (784)	35.5 (902)	25.7 (654)	27.2 (692)	23 (585)	36	18	17 - 19	1200 (40.6)	1850 (839)	2500 (1132)
									48	24	13 - 15	1000 (45.2)		

Battery Type: "EO" (Without Cover)

Battery amp hr (kwh) capacity is max allowable per UL

Commercially available lead acid batteries may not necessarily reach these max limits

Battery Compartment Length is measured front to rear

Battery Compartment Width is measured across the truck

Battery Notes – Conventional Charging (Opt G26201)

Battery Connector: 36 volt - Grey SB[®]350 (Anderson Power Products[®] P/N 6320G1 or equivalent)

48 volt - Blue SB[®]350 (Anderson Power Products[®] P/N 6321G1 or equivalent)

Battery Lead: Length 20" (508mm), Position "B", 2/0 AWG

Battery Notes – Rapid/Fast Charging (Opt G26202)

Battery Connector: Requires Dual Positive/Negative Cabling terminating in (2) Female EBC-320

DIN Connectors (Anderson Power Products[®] P/N A32503-0009 or equivalent)

Each individual DIN connector to include 1 Red Conductor to (+) and 1 Black Conductor to (-)

Battery Lead: Length 25" (635mm), Position "B", Minimum Cable Size 3/0 AWG



Hyster Company
P.O. Box 7006
Greenville, North Carolina
27835-7006
Part No. E30-40XN/TG
5/2012 Litho in U.S.A.

Visit us online at www.hyster.com/americas or call us at 1-800-HYSTER-1.

Hyster, , Fortis, and MONOTROL are registered trademarks of Hyster Company.

Hyster products are subject to change without notice.

The Hyster Company products included in this document may be covered by U.S. Patent 6,959,936 and other patents pending. Truck on cover shown with optional equipment. ©2012 Hyster Company. All rights reserved.